

Industrial Service Pressure Gauge **GG Range**

- Nominal Diameter options of 63mm, 100mm & 150mm.
- Degree of Protection IP55/IP65.
- Stainless steel enclosure as standard.
- Blowout Protection.
- Ranges available between -1 bar to 1000 bar
- Monel pressure connection, material and options available.

Performance **characteristics**

Enclosure options

- IP55 Protection for dry execution
- IP65 Protection for filled execution

Pressure Connection Material

- 316 Stainless Steel

Dials

- White Aluminium with black graduation

Pressure Ranges

- 63mm: -1 – 0 to 0 – 400 Bar
- 100 and 150mm: -1 – 0 to 0 – 1000 Bar

Process connection

- 63mm: ¼" PT, NPT & PF
- 100 and 150mm: ½" PT, NPT & PF

Accuracy

- Model GG (63mm): 1.6 per EN 837-1:1998
- Model GG (100mm) & GG (150mm): 1.0 per EN 837-1:1998

Ambient temperature

- -30 to +60 °C non fluid
- +10 to +60 °C glycerine filled execution
- -30 to +60 °C silicone fluid filled execution

Process temperature

- -30 to +250 °C non fluid
- +10 to +80 °C glycerine filled execution
- -30 to +120 °C silicone fluid filled execution



Product **applications**

The GG range is suitable for a wide range of applications in many Industry sectors:

- Oil & Gas
- Chemical
- Petrochemical
- Refining
- Power
- Marine
- Food Industry
- OEM

The choice of models available ensures suitability for use in:

- Corrosive atmospheres
- Resistant to chemical attack

How can we **help you?**

Delta Controls' range of reliable pressure and temperature measurement instruments can be customised to meet individual requirements. For technical advice or to discuss your application please contact us on +44 (0) 20 8939 3500

Mounting

TABLE 7

	Code
Bottom Connection, Direct	A
Bottom Connection, Surface, Case Mounting Plate	B
Lower Back Connection, Direct	D
Lower Back Connection, Flush, Cover Mounting Plate	F
Lower Back Connection, Flush, Cover Mounting Bracket	H

Fill

TABLE 8

	Code
No Fill	0
Glycerine	G
Silicone	S

Accuracy Class

TABLE 9

	Code
1.0 PER EN837-1:1998, Only available with DN>100	A
1.6 PER EN837-1:1998, Only available with DN63	B

Process Connection

TABLE 10

	Code
1/2-14 NPT External.	J
G1/2B	K
1/4-18 NPT External	S

Material of Wetted Parts

TABLE 11

	Code
Stainless steel AISI 316Ti Bourdon tube and 316L process connection.	S

Material of Gauge Case

TABLE 12

	Code
Case and ring in AISI 304 stainless steel	0
Case and ring in AISI 316 stainless steel	1

Scale Pointer Options

TABLE 13

	Code
Standard only no options this model(Aluminium with micrometer adjustment for no fill; aluminium not adgustable for 63mm, filled and NS63)	0

Options Available

TABLE 14

	Code
No additional options required	0
Tag number printed on dial face	1
Stainless steel tag plate.	4
Serial number printed on dial face	5

Treatments Available

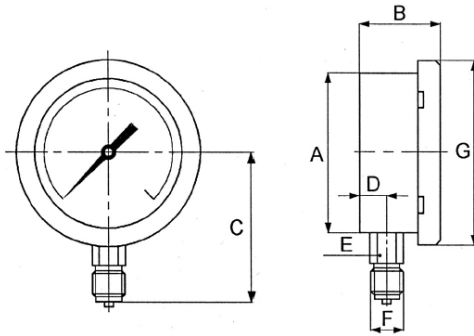
TABLE 15

	Code
No additional treatment required	0
Wetted parts prepared for Oxygen service.	4

Type of Mounting

Illustrations for TABLE 7

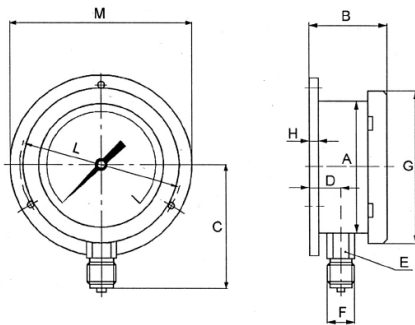
Code A



**Bottom Connection,
Direct**

DN	A	B	C	D	E	F	G	H	I	L	M	N	Hole Ø At 120°	Weight	
														No-Fill	Filled
63	63	31	53	10	14	1/4	68							0,15	0,22
100	100	49	87	15,5	22	1/2	111							0,56	0,89
150	150	49	118	16	22	1/2	160							0,95	1,65

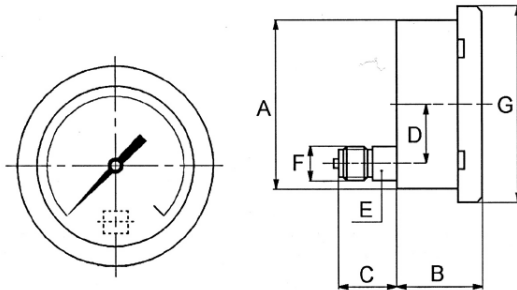
Code B



**Bottom Connection, Surface,
Case Mounting Plate**

DN	A	B	C	D	E	F	G	H	I	L	M	N	Hole Ø At 120°	Weight	
														No-Fill	Filled
100	100	54	87	20,5	22	1/2	111	5		118	132		6	0,66	0,99
150	150	54	118	21	22	1/2	160	5		178	196		6	1,15	1,85

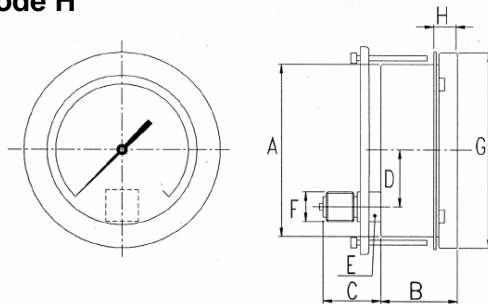
Code D



Lower Back Connection, Direct

DN	A	B	C	D	E	F	G	H	I	L	M	N	Hole Ø At 120°	Weight	
														No-Fill	Filled
63	63	31	27	0	14	1/4	68							0,17	0,24
100	100	49	35	30	22	1/2	111							0,53	0,86
150	150	49	35	49	22	1/2	160							0,90	1,60

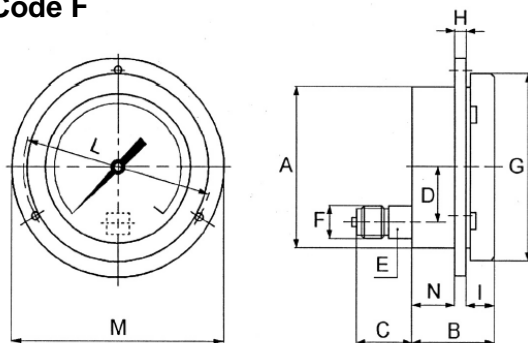
Code H



Lower Back Connection, Flush, Cover Mounting Bracket

DN	A	B	C	D	E	F	G	H	I	L	M	N	Hole Ø At 120°	Weight	
														No-Fill	Filled
63	63	31	27	0	14	1/4	68	11						0,22	0,29
100	100	49	35	30	22	1/2	111	17						0,60	0,93
150	150	49	35	49	22	1/2	160	19						1,01	1,71

Code F



Lower Back Connection, Flush, Cover Mounting Plate

DN	A	B	C	D	E	F	G	H	I	L	M	N	Hole Ø At 120°	Weight	
														No-Fill	Filled
63	65	31	27	0	14	1/4	68	1	10	75	85	20	3,6	0,2	0,27
100	100	49	35	30	22	1/2	111	1	14	118	132	34	6	0,59	0,92
150	150	49	35	49	22	1/2	160	1	17	178	196	32	6	1,00	1,70

In the interest of development and improvement Delta Controls Ltd, reserves the right to amend, without notice, details contained in this publication. No legal liability will be accepted by Delta Controls Ltd, for any errors, omissions or amendments.



Delta Controls Ltd

Island Farm Avenue, West Molesey, Surrey, KT8 2UZ, United Kingdom

T+44 (0) 208 939 3500 F+44 (0) 783 1163 E sales@delta-controls.com W www.delta-controls.com