

Differential Pressure Gauge Diaphragm **DG Range**

- Nominal Diameter options of 100mm & 150mm.
- Degree of Protection IP55/IP65.
- Stainless steel enclosure as standard.
- Blowout Protection.
- Ranges available From 0 to 25mbar, up to 0 to 25bar
- Monel pressure connection, material and options available.

Performance **characteristics**

Enclosure options

- IP55 Protection for non fluid
- IP65 Protection for filled

Pressure Connection Material

- 316 Stainless Steel

Dials

- White Aluminium with black graduation

Process connection

- 1/2 -14 NPT & G1/2B

Accuracy

- Class 1.6 (+/- 1.6% Of full scale deflection)

Ambient temperature

- -20 to +60 °C

Process temperature

- Max 120 °C



Product **applications**

The DG range is suitable for a wide range of applications in many Industry sectors:

- Oil & Gas
- Chemical
- Petrochemical
- Refining
- Power
- Marine
- Food Industry
- OEM

The choice of models available ensures suitability for use in:

- Corrosive atmospheres
- Resistant to chemical attack

How can we **help you?**

Delta Controls' range of reliable pressure and temperature measurement instruments can be customised to meet individual requirements. For technical advice or to discuss your application please contact us on +44 (0) 20 8939 3500

Model

TABLE 1

	Code
Industrial Service Differential Pressure Gauges	DG
ATEX certified Industrial Service Pressure Gauge ATEX service pressure gauge - II 2 G/D other specification as DA	DA

Range

TABLE 2

	Range	Bar	Kg/ cm ²	mBar	KPa	PSI	Code
	0 to 1	√	√				DA
	0 to 1.6	√	√				DB
	0 to 2.5	√	√				DC
	0 to 4	√	√				DD
	0 to 6	√	√				DE
	0 to 10	√	√				EA
	0 to 15					√	DK
	0 to 16	√	√				EB
	0 to 25	√	√	√			EC
	0 to 30					√	DP
	0 to 40			√			ED
	0 to 60			√	√	√	EE
	0 to 100			√	√	√	FA
	0 to 160			√	√	√	FB
	0 to 200					√	PF
	0 to 250			√	√		FC
	0 to 300					√	ER
	0 to 400			√	√	√	FD
	0 to 600			√	√	√	FE
	0 to 1000				√		GA
	0 to 1600				√		GB
	0 to 2500				√		GC

Pressure Units

TABLE 3

	Code
Kg/cm ²	B
mBar	G
Bar	H
KPa	J
PSI	P

Inner Scale

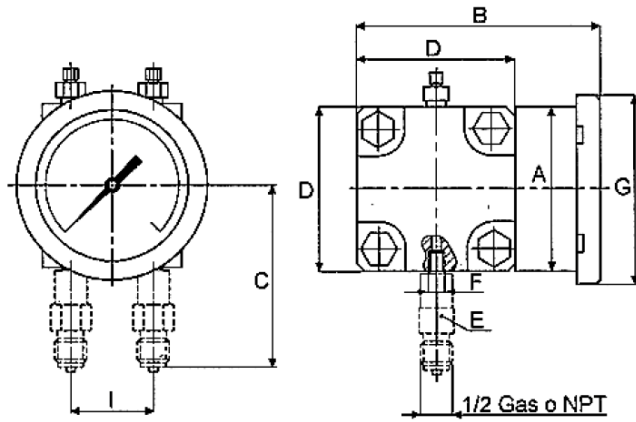
TABLE 4

	Code
Inner Scale not required	0

Type of Mounting

Illustrations for TABLE 7

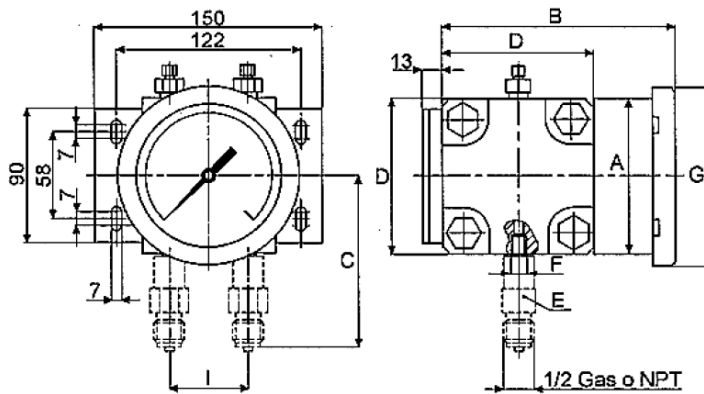
Code A



**Bottom
Connection,
Direct**

MODEL	DN	A	B	C	D	E	F	G	H	I	L	M	N	Hole Ø At 120°	Weight	
															No-Fill	Filled
DP 360-A	100	103	150	112	100	22	1/4	118		54					4,6	5,0
	150	150	150	112	100	22	1/4	166		54					4,9	5,8
DP 370-A	100	103	200	137	150	22	1/4	118		54					11,0	11,4
	150	150	200	137	150	22	1/4	166		54					11,3	12,2

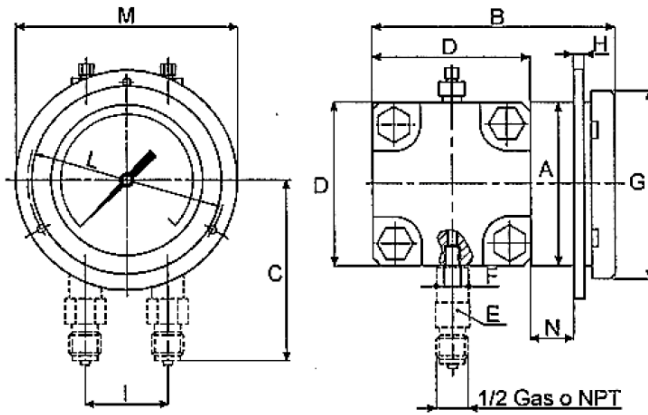
Code B



**Bottom
Connection,
Surface, Case
Mounting Plate**

MODEL	DN	A	B	C	D	E	F	G	H	I	L	M	N	Hole Ø At 120°	Weight	
															No-Fill	Filled
DP 360-B	100	103	150	112	100	22	1/4	118		54					4,9	5,3
	150	150	150	112	100	22	1/4	166		54					5,2	6,1
DP 370-B	100	103	200	137	150	22	1/4	118		54					11,3	11,7
	150	150	200	137	150	22	1/4	166		54					11,6	12,5

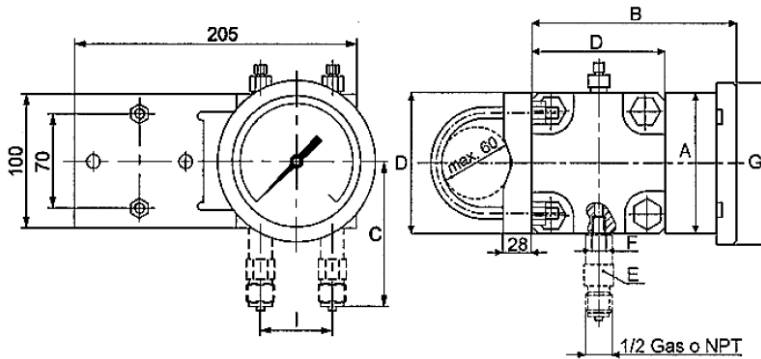
Code F



Bottom Connection, Flush, Cover Mounting Plate

MODEL	DN	A	B	C	D	E	F	G	H	I	L	M	N	Hole Ø At 120°	Weight	
															No-Fill	Filled
DP 360-C	100	103	150	112	100	22	1/4	118	7	54	126	140	27	5	4,7	5,1
	150	150	150	112	100	22	1/4	166	7	54	178	192	27	5	5,0	5,9
DP 370-C	100	103	200	137	150	22	1/4	118	7	54	126	140	27	5	11,1	11,5
	150	150	200	137	150	22	1/4	166	7	54	178	192	27	5	11,4	12,3

Code J



Bottom Connection, for 2inch horizontal or vertical pipe, Mounting

MODEL	DN	A	B	C	D	E	F	G	H	I	L	M	N	Hole Ø At 120°	Weight	
															No-Fill	Filled
DP 360-D	100	103	150	112	100	22	1/4	118		54					5,2	5,6
	150	150	150	112	100	22	1/4	166		54					5,5	6,4
DP 370-D	100	103	200	137	150	22	1/4	118		54					11,6	12,0
	150	150	200	137	150	22	1/4	166		54					11,9	12,8

In the interest of development and improvement Delta Controls Ltd, reserves the right to amend, without notice, details contained in this publication. No legal liability will be accepted by Delta Controls Ltd, for any errors, omissions or amendments.



Delta Controls Ltd

Island Farm Avenue, West Molesey, Surrey, KT8 2UZ, United Kingdom

T+44 (0) 208 939 3500 F+44 (0) 783 1163 E sales@delta-controls.com W www.delta-controls.com

